



Electrical Data		
Nominal resistance	kOhm	1 / 5 / 10
Resistance tolerance	%	±20
Independent linearity	% of meas. range	±1
Electrical angle	°	340
Max. repeatability	°	0.3
Max. hysteresis	°	0.6
Temperature coefficient of the voltage divider	ppm/K	5
Recommended wiper current	µA	max. 1
Max. wiper current in case of malfunction	mA	10
Max. power rating P (@ 40°C)	W	0.3
Min. life (electrical)	movements	4 Mio.

Mechanical Data		
Mechanical range	° (continuous)	360
Min. life (mechanical)	movements	4 Mio.
Operating temperature	°C	-25 ... +75
Storage temperature	°C	-40 ... +105
Protection class		IP50

Standards		
Insulating resistance (500 VDC, 1bar, 2s)	GOhm	10
Dielectric strength (VAC, 50Hz, 1min, 1bar)	kV	1
Vibration (Amax = 0.75mm, f = 30 ... 2000 Hz)	g	10
Shock (half sine pulse, 7 ms)	g	50

## WAL305

### Applications

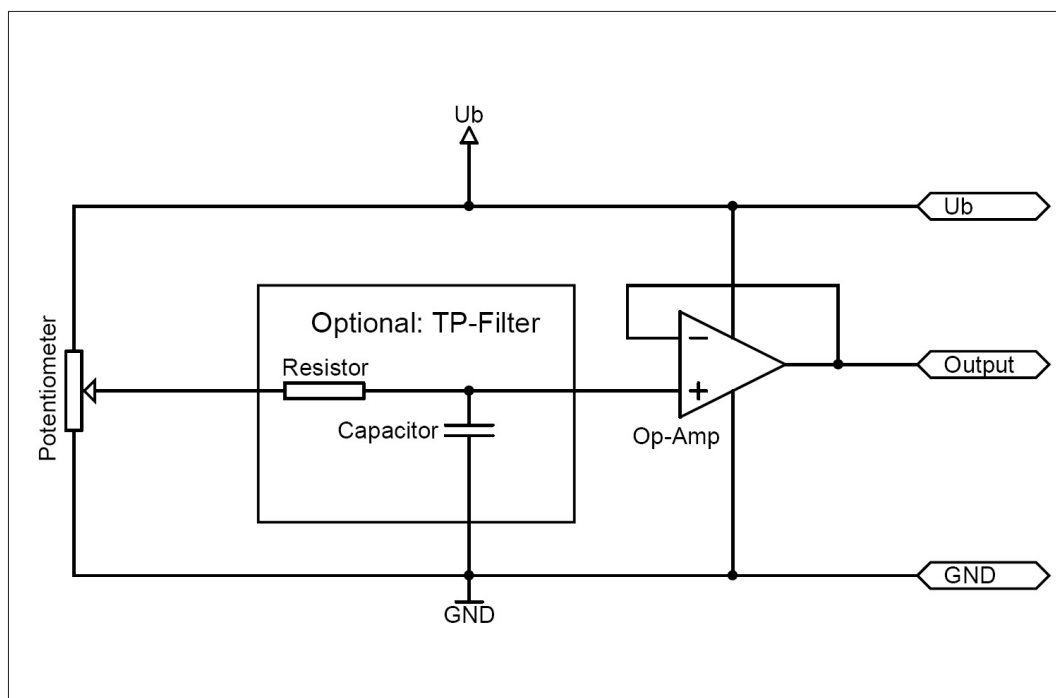
- Convertible roof
- Automatic tailgate of cars

### Features

- Hollow shaft
- Cost-effective
- 4 Mio. movements
- Very good resolution better 0,3°

### Options

- Other nominal resistance
- Linearity ±0.5%
- Electrical angles between 30° and 355°
- Customer specific cable / wires

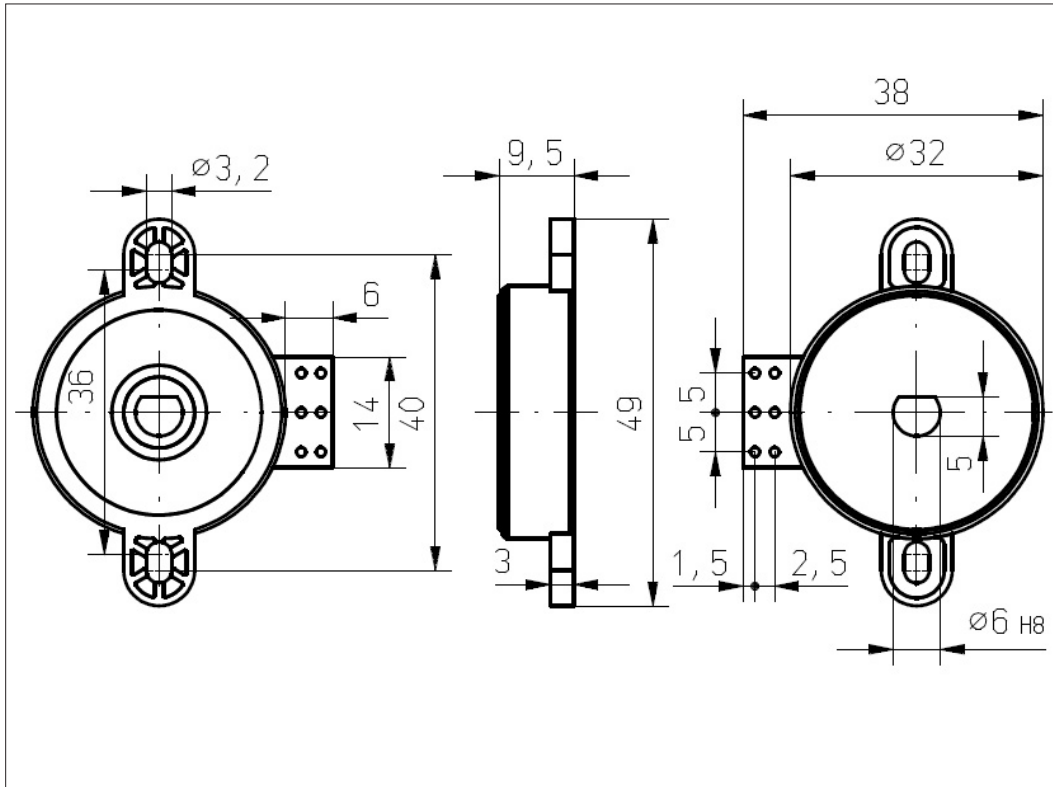


### Ideal potentiometer wiring

Our potentiometers should be ideally used as an unloaded voltage divider.

If the potentiometer is loaded, nonlinearities arise due to the load resistance and the contact resistance.

Errors and omissions excepted. Subject to change without notice. State: 15.06.05



### WAL305

#### Accessories (incl.)

- None

Errors and omissions excepted. Subject to change without notice. State: 15.06.05